

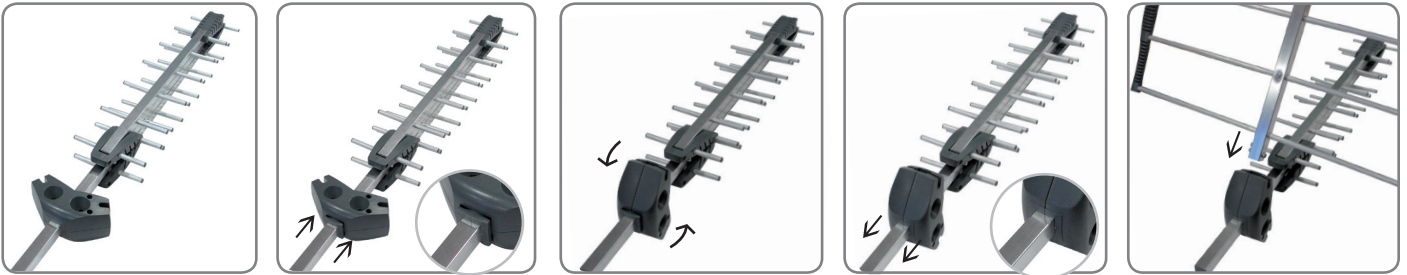
Outdoor UHF antenna



HyDra35G

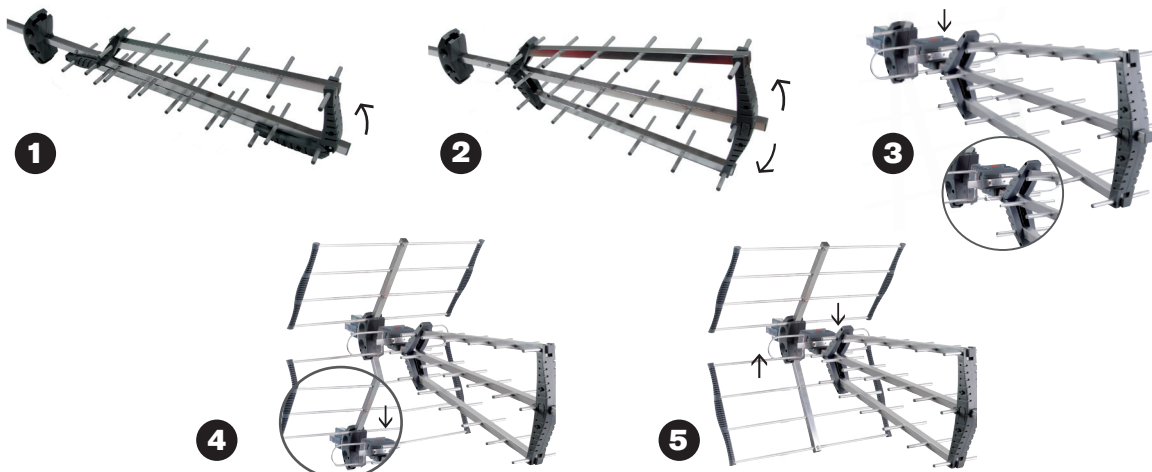
- ✓ **Easy and fast assembling in 5 clicks only and in less than 30 seconds**
- ✓ **No tools needed**
- ✓ **Exclusive design by Fte maximal**
- ✓ **Fixed to the mast with bridle and reinforced clamps**
- ✓ **Savings in storage space and transport**

Optimization of the packaging system with savings in the space and size in the transport and in storage too, thanks to our exclusive system in which the base turns 90° reducing the package size up to 25%*.



* Comparative made with EVO series

Intuitive system and fast assembly



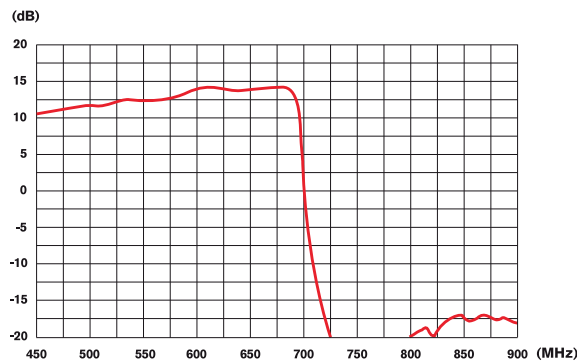
Outdoor UHF antenna



Technical specifications Outdoor UHF antennas HyDra serie

HyDra 35G

Code	9003957	
Elements	26	
Channels	21-48	
Frequencies	470 – 694 MHz	
Gain	14.5 dB	
Front to Back ratio	15-25 dB	
Half power beam width Horizontal (-3 dB)	35°	
Half power beam width Vertical (-3 dB)	30-40°	
Impedance	75 Ω	
Length	875 mm	
Weight	1,48 Kg	
Individual Packing Dimensions (W x H x D) (mm)	Box 1/2	1080 x 135 x 70 mm
	Box 2/2	315 x 535 x 40 mm
Accessories included	Connector protector	
Packing quantity	1 / 12	



HyDra 35G Gain curve