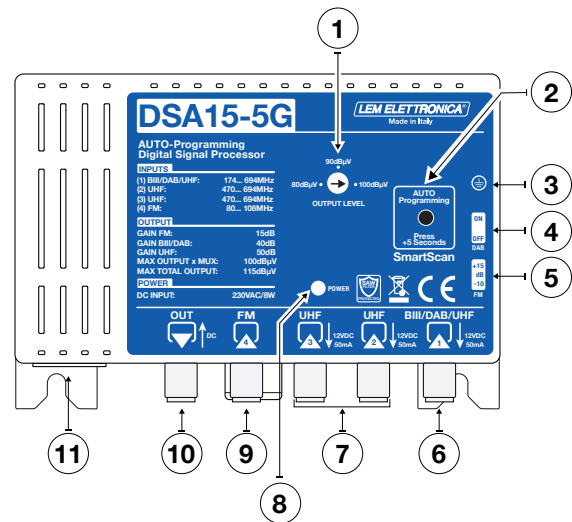


DSA15-5G

Automatic Programming TV terrestrial multiband amplifier

- ① Output level adjuster 80... 100dB μ V
- ② AUTO Programmig key (to run SmartScan)
- ③ Ground clamp
- ④ DAB ON/OFF selector switch
- ⑤ FM -10dB / +15dB gain level selector switch
- ⑥ Antenna input (1) BIII / DAB / UHF(E21... E48)
- ⑦ Antenna inputs (2)/(3) UHF (E21... E48)
- ⑧ Multi-function LED
- ⑨ Antenna input (4) FM (88... 108MHz)
- ⑩ MATV output /remote power 12...15VDC
- ⑪ 230VAC 50/60Hz Mains input



Installation and start-up

- 1 Connect an earth wire to grounding clamp
- 2 Connect the TV aerial(s) to the amplifier's inputs
- 3 Connect the MATV output and terminate the unused inputs with 75 Ω loads
- 4 Power up the amplifier connecting the power cord to mains plug

Programming and output level setup

- 1_Keep (+ 5 seconds) the **AUTO Programming** key pressed until the **LED Power** start to blink red/green
- 2_The amplifier will start the channel (MUX) search for the connected inputs and the **LED Power** blinking red/green will indicate that DVB-T/T2 channels are scanned by the internal tuner-demodulator. When the search is complete and the channel are stored the **LED Power** will turn to fixed green.
- 4_The output level can be manually adjusted operating on the trimmer **OUTPUT LEVEL**

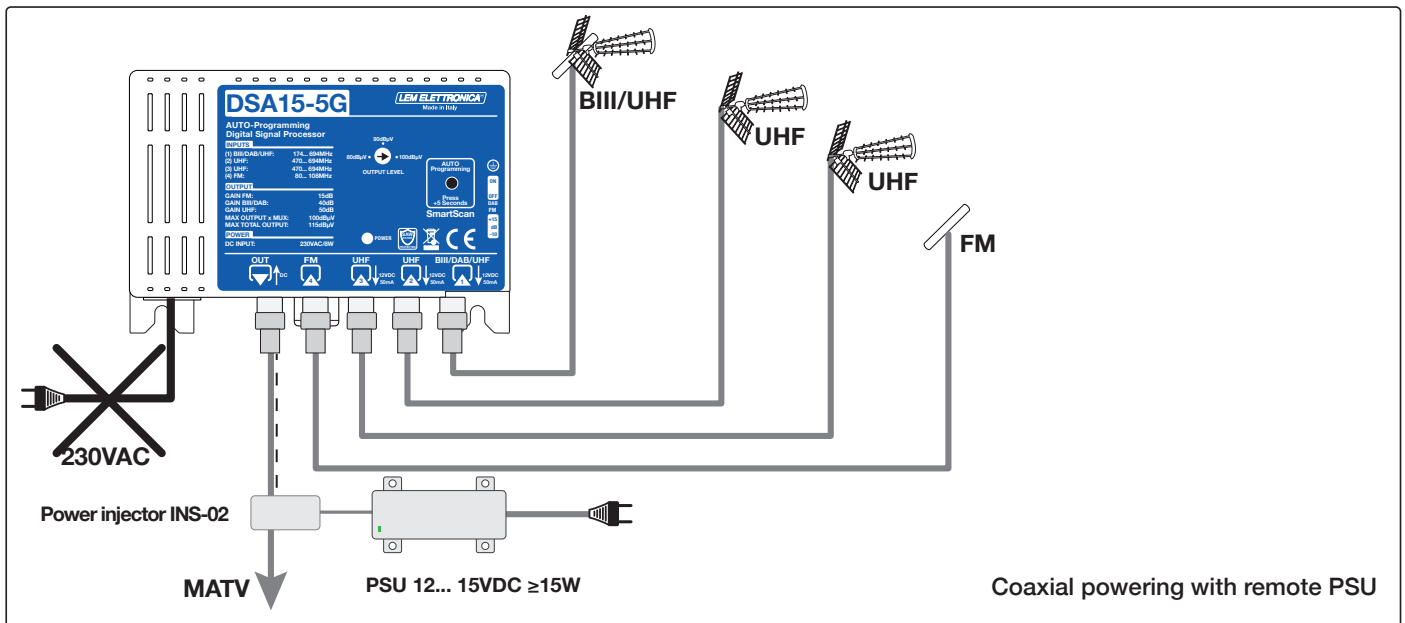
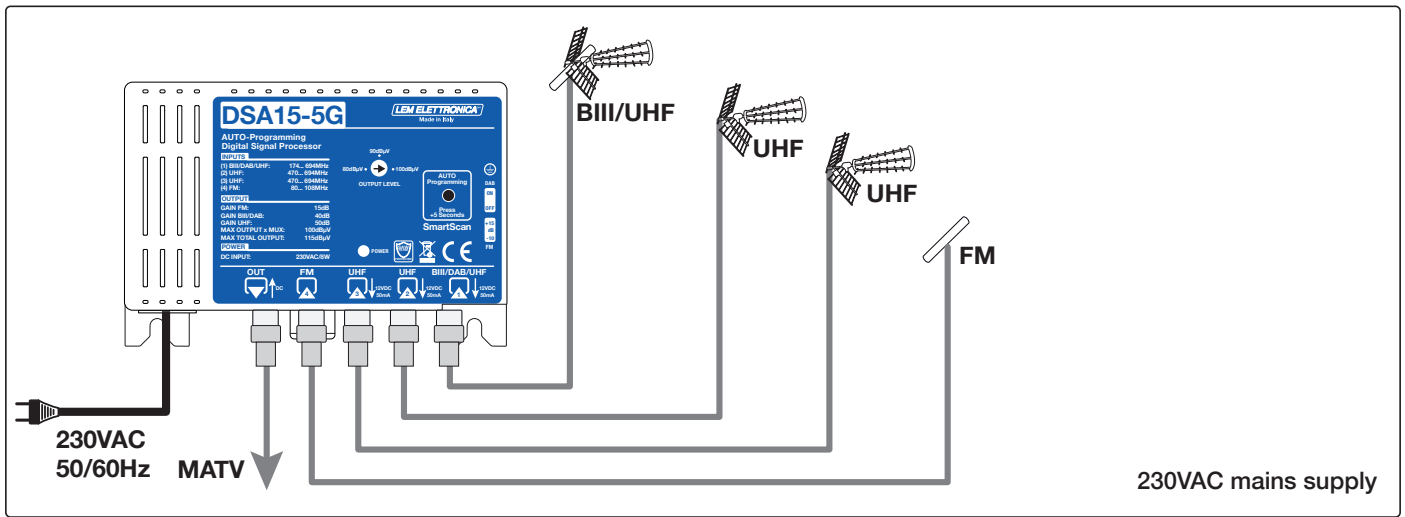
Antenna remote power error



If **LED POWER** remains fixed red there is an antenna input short circuit or over current. Please check the input(s) and remove the issue.

Technical specifications

NUMBER OF INPUTS		1xFM / 1xBIII/DAB/UHF / 2xUHF
INPUTS FREQUENCY RANGE	MHz	FM (80... 108) BIII (170... 230) / DAB (170... 240) UHF (470... 694)
LTE PROTECTION		LTE 700
SINGLE CHANNEL FILTERS		Up to 32
NUMBER OF CHANNEL PER FILTERS		1
MAXIMUM INPUT LEVEL	dB μ V	FM 90 - BIII/DAB 100 - UHF 100
VHF-UHF A.C.G. RANGE	dB	40 dB
DIGITAL FILTERS SELECTIVITY	dB	35 @1MHz
FM GAIN	dB	-10/+15 (selectable)
BIII/DAB GAIN	dB	40
UHF GAIN	dB	50
OUTPUT LEVEL RANGE (x MUX)	dB μ V	80... 100 (adjustable)
RETURN LOSS IN/OUT	dB	>10
ANTENNA INPUT REMOTE POWER SUPPLY		12V / 60mA
INPUT VOLTAGE	V	230V 50/60Hz
MAXIMUM CONSUMPTION	W	8
OPERATING TEMPERATURE	$^{\circ}$ C	-15... 40
DIMENSIONS	mm	135 x 91 x 45



⚠ Safety instructions

1. Do not expose the amplifier to extreme temperatures.
2. Place the amplifier in a dry and well-aired location.
3. Install the unit on a vertical wall, or in a waterproof cabinet with a minimum IP55 rating, and fix it safely.
4. Connect the power adapter cord to a detachable power supply socket.

DESCRIPTION OF SYMBOLS AND ELECTRICAL SAFETY



The equipment complies with the CE requirements



Equipment grounding terminal



The equipment is compliant with RoHS 2011/65EU



Dispose according to local authorities recycling processes