

THERMOPLASTIC CHAMBER SYSTEMS

Code: PZ
 Colour: grey
 Material: thermoplastic

Application field: especially suitable for containing cut-out systems and earth connections in electrical systems and buried telecommunications systems
 Installation type: underground

Load resistance

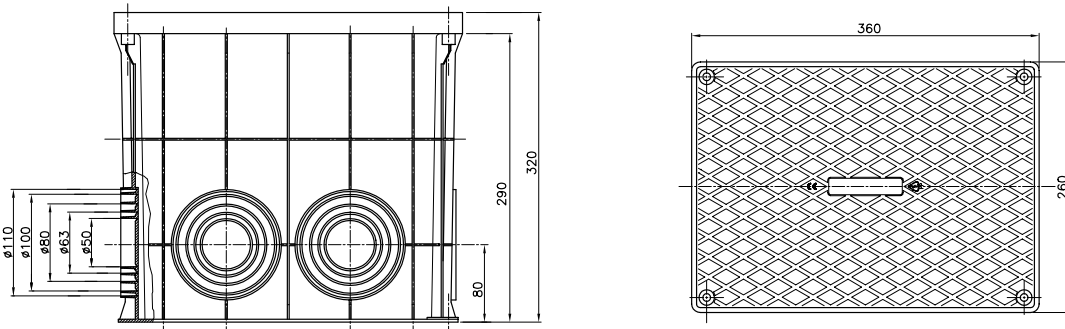
Version	Dimensions	Breaking load* (kg/cm ²)
Square	200x200x200	7.4
Square	300x300x300	4.8
Square	400x400x400	2
Square	550x550x520	2.7
Rectangular	360x260x320	7.7

* The breaking load values refer to closed high-resistance covers.

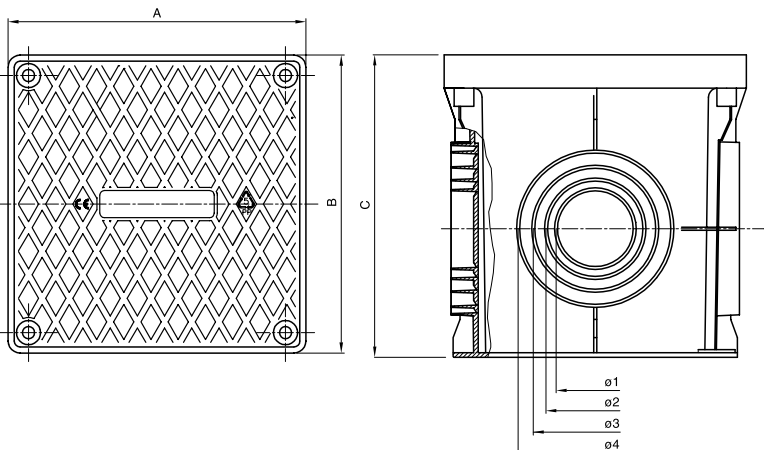
Breaking load in accordance to UNI EN 124.

It is advisable to firmly anchor the electrical boxes to the ground. Prepare a concrete bed of at least 10cm and cover the rest with earth and cement, taking care to avoid height differences between the electrical box cover and the ground surface.

RECTANGULAR ELECTRICAL BOXES - DX 59 501 - DX 59 502



SQUARE ELECTRICAL BOXES



		ø									
A	B	C	1	2	3	4	5	6	7	8	9
200	200	200	50	75	90	110					
300	300	300		75	90	110	125				
400	400	400				110	125	160	200	250	
550	550	520						160	200	250	315

For technical information contact the Technical Assistance Service or visit gewiss.com