



Cabelcon TrueDrop™ Portfolio

Cabelcon TrueDrop™ Connectors and Jumpers

The family of TrueDrop products, which previously consisted of only connectors, has now been expanded to include jumpers. The TrueDrop portfolio features breakthroughs that deliver improved performance when compared to F-compression connectors. The result is less network noise, greater ease of use, and better overall reliability.

- Larger conical mating surface provides better alignment and mating quality with all ports, compared to standard connectors

- Wider sleeve heel provides 360-Degree electrical contact for all cables
- Improved seating prevents O-ring damage pre- and post-installation and at re-installation
- Dielectric stop at F nut boosts installation quality
- Grooved nut for better grip, easier tightening, and quicker installation
- Straight knurling for improved grip on nut

Cabelcon TrueDrop™ Portfolio – Main Values

Cabelcon TrueDrop™ Connectors and Jumpers*

CX3™ portfolio upgrade and consolidation

- Larger conical mating surface provides better alignment and O-ring seating
- Better Female thread engagement
- Dielectric stop disables dielectric push-through
- Grooved nut for better grip, easier tightening, and quicker installation
- Wider sleeve heel provides 360° electrical contact for all cables
- Higher cable torsion and straight knurling for improved grip and installation
- A++ jumper shielding

* Legacy products will be available until stocks are exhausted.
Updated products available now.

For more Information
please go to our website:
www.Cabelcon.com

Connections You Can Trust



99909941



TrueDrop Jumper

Cabelcon TrueDrop™ Connector – F Standard Compression

Features/Interface

Improved Interface Seal

1. O-ring not damaged by thread/installation

F Nut: Larger Thread Engagement Area and Finger-Friendly Design

1. Compensates for varying F Female thread qualities
2. More strong mechanical contact between F Female and F Male ports prevents loosening of connectors
3. Nut Design eases tightening F Nut on Port
4. F Nut tightening quality improved

Mating Surface: Self-Centering and Maximising Electrical Contact

1. Compensating for varying Female surface qualities
2. Ensuring 360-Degree RF tightness

Dielectric Stop

1. Prevention of pass/push through

Benefits

1. Mating Surface

- a. Optimum mechanical and RF fit
 - Less maintenance calls
 - No more loose F connector
 - Best possible noise and ingress protection

2. F Nut

- a. Ensures high torque and low resistance
 - Less maintenance calls
 - No more loose F connector
 - Best possible noise and ingress protection

3. Stop

- a. Flawless installation features
 - Less maintenance calls
 - Safe installation with mechanical stop for cable

4. Interface Seal

- a. Improved repeat installations with seal intact
 - Best possible moisture, noise, and ingress protection

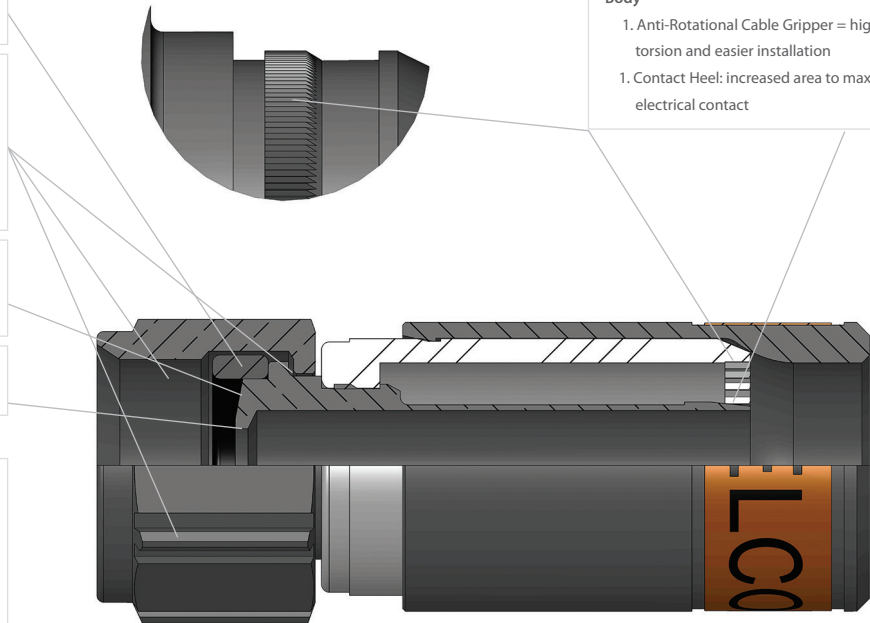
5. Body

- a. New internal design improves handling and cable aging issues

Features/Body

Body

1. Anti-Rotational Cable Gripper = higher cable torsion and easier installation
1. Contact Heel: increased area to max. electrical contact



Cabelcon TrueDrop™ Item Number	Name	Description
F Male Feed-Through with Interface Seal		
99909916-02	F-59-TD 3.7 TRUE DROP	for MINI RG59 cable dielectric ø. 3.4-3.5 mm
99909921-01	F-59-TD 3.9 TRUE DROP	for RG59 cable dielectric ø. 3.6-3.7 mm
99909935-02	F-59-TD 3.9 HEC TRUE DROP	for RG59 HEC cable dielectric ø. 3.6-3.7 mm
99909941-01	F-6-TD 4.9 TRUE DROP	for RG6 cable dielectric ø. 4.6-4.7 mm
99909946-01	F-6-TD 5.1 TRUE DROP	for RG6 cable dielectric ø. 4.8-4.9 mm
99909951	F-6-TD 4.9 SHORT TRUE DROP	for RG6 cable dielectric ø. 4.6-4.7 mm
99909445-04	F-6-TD 5.1 SHORT TRUE DROP	for RG6 cables dielectric ø. 4.8-4.9 mm

Cabelcon TrueDrop™ Connectors – with F QuickMount™ Compression

Features/Interface

Mating Surface: Self-Centering and Maximising Electrical Contact

1. Compensating for varying Female surface qualities
2. Ensuring 360-Degree RF tightness

F Nut: Larger Thread Engagement Area and Finger-Friendly Design

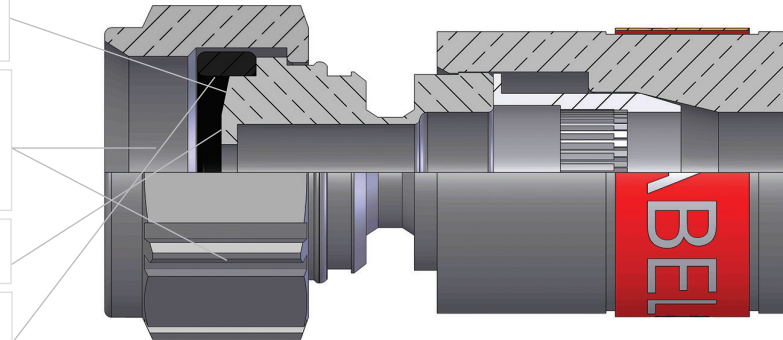
1. Compensates for varying F Female thread qualities
2. More strong mechanical contact between F Female and F Male ports prevents loosening of connectors
3. Nut design eases tightening F Nut on Port

Dielectric Stop

1. Prevention of pass/push-through

Improved Interface Seal

1. O-ring not damaged by thread/installation



Benefits



1. Mating Surface
 - a. Optimum mechanical and RF fit
 - Less maintenance calls
 - No more loose F connector
 - Best possible noise and ingress protection
2. F Nut
 - a. Ensures high torque and low resistance
 - Less maintenance calls
 - No more loose F connector
 - Best possible noise and ingress protection
3. Stop
 - a. Flawless installation features.
 - Less maintenance calls
 - Safe installation with mechanical stop for cable
4. Interface Seal
 - a. Improved repeat installations with seal intact.
 - Best possible moisture, noise and ingress protection
5. New Body
 - a. New internal design improves handling and cable aging issues

New Cabelcon TrueDrop™ Item Number	Name	Description
F Male Mini PushPin™ without Interface Seal		
99909902	FM-MINI-TD QM 3.1 W/O O-RING TRUE DROP	for MINI 3.1 mm cable
99909903	FM-MINI-TD QM 4.0 W/O O-RING TRUE DROP	for MINI 4.0 mm cable
99909904	FM-MINI-TD QM 4.5 W/O O-RING TRUE DROP	for MINI 4.5 mm cable
99909906	FM-MINI-TD QM 5.0 W/O O-RING TRUE DROP	for MINI/RG59 5.0 mm cable
F Male Feed-Through without Interface Seal		
99909901	F-MINI-TD QM 4.0 SHORT TRUE DROP	for MINI 4.0 mm cable
99909909	F-MINI-TD QM 4.5 SHORT TRUE DROP	for MINI 4.5 mm cable
99909910	F-MINI-TD QM 5.0 SHORT TRUE DROP	for MINI 5.0 mm cable
99909911-01	F-59-TD QM 6.0 TRUE DROP	for RG59 6.0 mm cable
99909912-01	F-6-TD QM 7.0 TRUE DROP	for RG6 7.0 mm cable
F Male Feed-Through with Interface Seal		
99909913-01	F-6-TD QM 7.0 W/O O-RING TRUE DROP	for RG6 7.0 mm cable
99909914-01	F-6-TD QM 7.0 SHORT W/O O-RING TRUE DROP	for RG6 7.0 mm cable

Cabelcon TrueDrop™ Portfolio – General Specifications

Features

- Conical Interface
- O-Ring
- Grooved Nut
- Cable Gripper
- Support Sleeve: Dielectric Stop and Contact Heel
- Enhanced F Nut Thread

Technical Data*†	Cabelcon TrueDrop™ Standard Compression	TrueDrop QuickMount™ Connector*†
		
Transfer Impedance (CoMeT) 5-30 MHz	Class A++	Class A++
Screening Attenuation (CoMet) 30-3.000 MHz	Class A++	Class A++
Intermodulation 3 rd Order @ 2 x 20 dBm	< -167 dBc	< -130 dBc
Sealing Test (IEC IP-code)	IP X8 30 meter/8 hour	IP X8 30 meter/8 hour
Return Loss @ 1.0 GHz	< -39 dB	< -32 dB
Return Loss @ 2.0 GHz	< -39 dB	< -25 dB
Return Loss @ 3.0 GHz	< -39 dB	< -22 dB
Insertion Loss @ 1.0 GHz	< -0.01 dB	< -0.10 dB
Insertion Loss @ 2.0 GHz	< -0.02 dB	< -0.10 dB
Insertion Loss @ 3.0 GHz	< -0.05 dB	< -0.10 dB
Maximum Tensile Strength	> 50% better than cable specifications	> 50% better than cable specifications

* Data is cable dependent

† General connector performance may change depending on cable type

Other Drop Connectors

IEC & BNC Compression and SC Self-Install Connectors

Item Number	Name	Description
F with Standard F Nut Self-Install		
99909621-03	F-59-TD SELF INSTALL 3.9 NI TRUE DROP	For RG6 6.0 mm cable, with 3.6 mm dielectric
99909631-03	F-6-TD SELF INSTALL 4.9 NI TRUE DROP	For RG6 7.0 mm cable, with 4.6 mm dielectric
99909636-02	F-6-TD SELF INSTALL 5.1 NI TRUE DROP	For RG6 7.0 mm cable, with 4.8 mm dielectric
F with SpringConnect Self-Install		
99909673	F SC-56 5.1 SELF INSTALL	For RG6 7.0 mm cable, with 4.6-4.8 mm dielectric
IEC Self-Install		
99909686	IECM-56 5.1 SELF INSTALL	For RG6 7.0 mm cable, with 4.6-4.8 mm dielectric
99909692	90-IECM-56 5.1 SELF INSTALL	For RG6 7.0 mm cable, with 4.6-4.8 mm dielectric
99909690	IECF-56 5.1 SELF INSTALL	For RG6 7.0 mm cable, with 4.6-4.8 mm dielectric
99909691	90-IECF-56 5.1 SELF INSTALL	For RG6 7.0 mm cable, with 4.6-4.8 mm dielectric
IEC TD Standard Compression		
99909982	IECM-59-TD 3.9	For RG59 6.0 mm cable with 3.6 mm dielectric
99909484-04	IECM-6-TD 4.9	For RG6 7.0 mm cable with 4.6 mm dielectric
99909486-04	IECM-6-TD 5.1	For RG6 7.0 mm cable with 4.8 mm dielectric
99909992	IECF-59-TD 3.9	For RG59 6.0 mm cable with 3.6 mm dielectric
99909494-04	IIIECF-6-TD 4.	For RG6 7.0 mm cable with 4.6 mm dielectric
99909496-03	IIIECF-6-TD 5.1	For RG6 7.0 mm cable with 4.8 mm dielectric



99909673



99909686



99909692



99909690



99909691



99909494-01

Item Number	Name	Description
90-Degree Right Angle F Male Connector		
99530053-01	90-FM-59-ALM 3.7/6.4 HQ	MINI RG59 5,0mm cable, with dielectric ø. 3.5 mm
99530059-01	90-FM-56-ALM 5.1/8.4 HQ	For RG6 7.0 mm cable, with 4.8 mm dielectric
99909597	90-FM-56-CX3 7,0 QM	For RG6 7.0 mm cable
MCX Male Connectors		
99909804-01	MCX-60-CX3 MINI 4.5	For MINI 4.5 mm cable
99909805	MCX-59-CX3 5.0 QM	For MINI 5.0 mm cable
99909835	MCX-60-MINI 3.0/4.5 AU PIN	MINI 4,0mm cable, with dielectric ø. 2.8 mm
BNC Male Connectors		
99909462-01	BNCM-60-CX3 MINI 3.1	For MINI 3.1 mm cable
99909463-01	BNCM-60-CX3 MINI 4.0	For MINI 4.0 mm cable
99909464-03	BNCM-60-CX3 MINI 4.5	For MINI 4.5 mm cable
99909465-01	BNCM-60-CX3 MINI 5.0	For MINI 5.0 mm cable
BNC TD Standard Compression		
99909972	BNCM-59-TD 3.7	MINI RG59 5,0mm cable with dielectric ø. 3.5 mm
99909973	BNCM-59-TD 3.9	For RG59 6.0 mm cable with 3.6 mm dielectric
99909474-04	BNCM-59-TD 3.9/HEC	For RG59 6,7mm HEC cable with dielectric ø. 3.6mm
99909475-04	BNCM-6-TD 4.9	For RG6 7.0 mm cable with 4.6 mm dielectric
99909476-04	BNCM-6-TD 5.1	For RG6 7.0 mm cable with 4.8 mm dielectric
99909478-02	BNCM-6-TD 5.7	For RG6 cable dielectric ø.5.4-5.5 mm

Drop Connectors for RG11 Cables

Product Type/Name	Part Number	Product Description
F Male PushPin™ System CX3™ Standard Compression		
FM-RG11-CX3 7.5	99909510-02	For RG11 10.0 mm cable, with 7.3 mm dielectric
FM-RG11Q-CX3 7.5	99909515-02	For RG11 10.5 mm cable, with 7.3 mm dielectric
F Male PushPin System CX3 QuickMount™ Connector		
FM-RG11-CX3 QM 10.5	99909538-02	For RG11 10.0-10.5 mm cable
FM-RG11Q-CX3 QM 11.0/1.7	99909539	For RG11 10.5-11.0 mm cable
FM-RG11-CX3 QM 11.3	99909558	For Tellu7 11.0 mm cable
IEC Male PushPin System CX3 Standard Compression		
IEC14M-RG11-CX3 7.5	99909535-02	For RG11 10.0 mm cable, with 7.3 mm dielectric
5/8 MU PushPin System CX3 Standard Compression		
5/8 MU-RG11-CX3 7.5	99909525-02	For RG11 10.0 mm cable, with 7.3 mm dielectric
5/8 MU PushPin System CX3 QuickMount		
5/8 MU-RG11-CX3 QM 10.5	99909528-02	For RG11 10.0-10.5 mm cable
3.5/12 Male and Female PushPin System CX3 Standard Compression		
3.5/12F-RG11-CX3 7.5	99909530-02	For RG11 10.0-10.5 mm cable
3.5/12 Male and Female PushPin System CX3 QuickMount		
3.5/12M-RG11-CX3 QM 10.5	99909524-01	For RG11 10.0-10.5 mm cable
BNC Male PushPin System CX3 Standard Compression		
BNCM-RG11Q CX3 7.5	99909536-02	For RG11 10.0-10.5 mm cable
BNC Male PushPin System CX3 QuickMount		
BNCM-RG11-CX3 QM 10.5	99909541-01	For RG11 10.0-10.5 mm cable



99909510-02



99909525-02

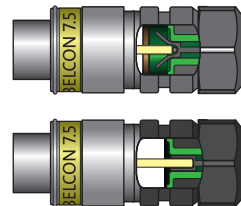


99909538-02



99909520-02

CX3™ RG11 F-connector



Position one:
The pin grips the inner conductor and makes sure that the cable is always inserted correctly in the connector.

Position two:
The pin locks the inner conductor as the cable is inserted while the pin is pushed forward in place – indicating that the cable is correctly installed.

The example above is our CX3 RG11 F-connector but the principle is the same for our other CX3 types.

Functions of Our Innovative PushPin system:

- The pin is protected in the body during transport (except CX3 5/8M) and is automatically pushed in place during cable installation (before compression)
- Eliminates blind entry when installing, offering visible indication of properly installed cable PushPin technology, and is available in all CX3 RG7/11 connectors, CX3 mini connectors, and in some RG6/59 connector types. BNC and RCA connectors also feature the unique system.