

Drop products



Innovative products for your evolving network

PPC provides innovative solutions to the industry's biggest problems and holds more patents in connector technology than any company in the world. PPC's solution-based approach has resulted in drop components that reduce craft errors, lower operational costs and ensure the best possible service to the subscriber.

PPC's line of drop components includes universal F-connectors, coax jumper assemblies, F-81s, security devices, headend connector components, groundblocks and terminators.

EX[®] Universal Drop Connectors



Every day installers are faced with identifying old unmarked cable and having to guess which connector is correct. The wrong connector choice degrades the plant, leading to noise and moisture ingress that ultimately results in a service call. The PPC EX[®] Universal Drop Connector takes the guesswork out of matching connector to cable—and reduces service calls.

AquaTight[®] Universal Drop Connectors



Moisture can kill a network. In real life, the use of port seals is often intermittent, and using the correct port seal is a tall order. Improper use or lack of port seals leaves connectors susceptible to the elements. The PPC AquaTight[®] Universal Drop Connector guarantees the use of the proper port seal every time, keeping the moisture out.



AquaTight® EX® Universal Compression Connectors Series 6 & 59

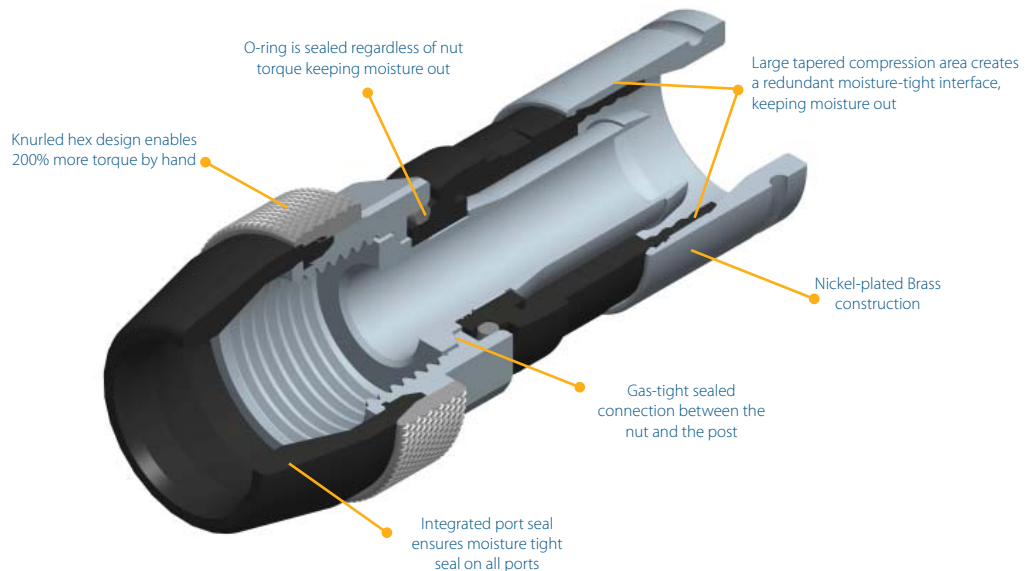
Moisture can kill a network. In real life, the use of port seals is often intermittent, and using the correct port seal is a tall order. Improper use or lack of port seals leaves connectors susceptible to the elements. The PPC AquaTight Universal Drop Connector guarantees the use of the proper port seal every time, keeping the moisture out.



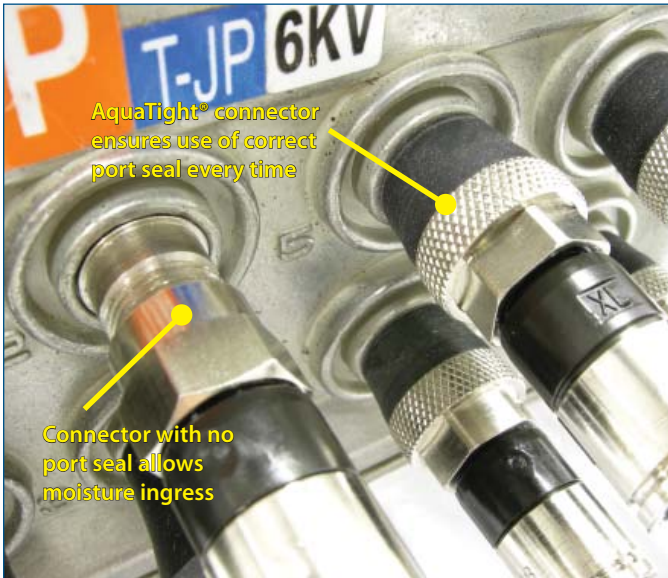
Product Specifications	
Bandwidth	0 MHz to 3 GHz
Impedance	75 Ohms (nominal)
Return Loss	Minimum -30 dB to 3 GHz
Insertion Loss	Less than .10 dB to 3 GHz
Operating Voltage	90 V (at 60 Hz continuous AC)
Operating Temperature	-40° F to + 140° F (-40° C to 60° C)
Cable Retention	45 lbs (20.41 kg) minimum

Meets or Exceeds all SCTE Specifications

Features & Benefits



Application



AquaTight® EX® Universal compression connectors ensure proper port sealing every time

AquaTight® EX® Compression Connectors: Series 6 & 59

EX6WS



EX6XLWS



EX59WS



EX59XLWS



Part Numbers

EX6WS	AquaTight® EX® connector, integrated port seal, series 6 cable
EX6XLWS	AquaTight® EX® connector, integrated port seal, extended body, series 6 cable
EX59WS	AquaTight® EX® connector, integrated port seal, series 59 cable
EX59XLWS	AquaTight® EX® connector, integrated port seal, extended body, series 59 cable

VT200



VT300



LDT596-250



TW307 AH



Preparation & Installation Tools

Compression Tool	CATAS, VT200 (for use w/ XL series)		
	CAT-AS-EX, VT300 (for use w/ EX series)		
¼" – ¾" universal drop cable preparation tool	LDT596-250	DDT59611	
7/16" snap torque wrench	TW207	TW307	TW307 AH

Please see complete tool list on pages A38-A40

AquaTight® EX® Compression Connectors Series 7 & 11

PPC’s revolutionary AquaTight® integrated port seal technology has now been expanded across the entire EX® Series product line! This design concept combines an EX® compression connector with an integrated port seal and guarantees the use of a port seal every time to eliminate moisture migration problems.

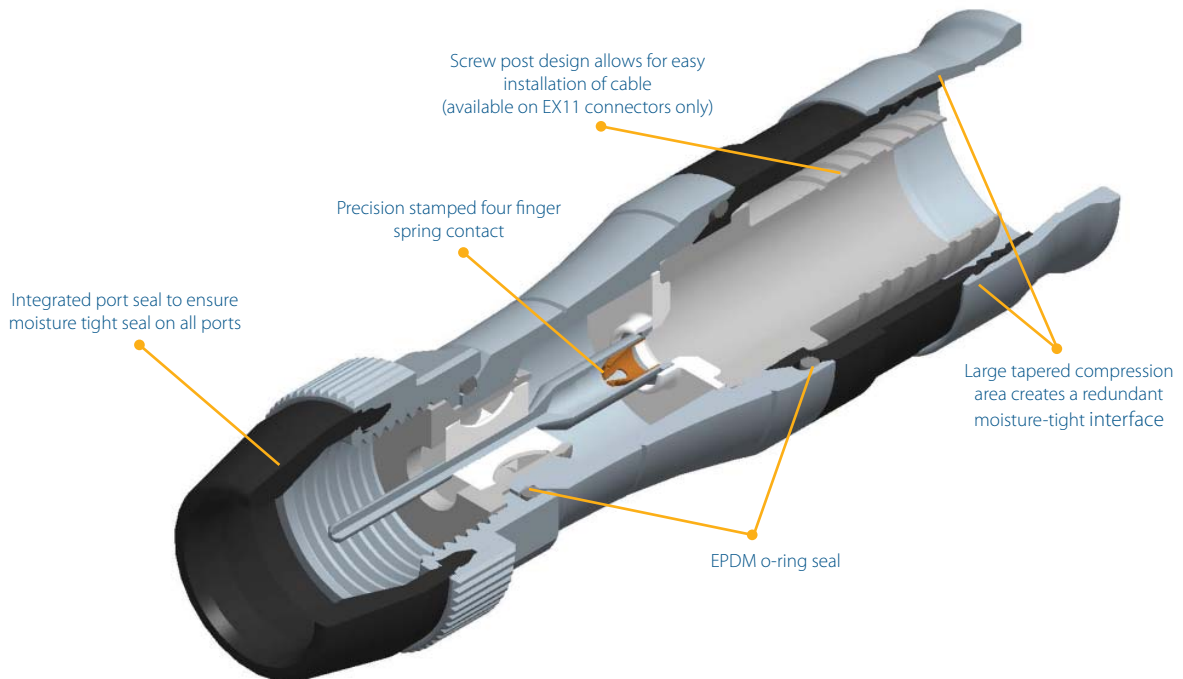
The unique patented design of the EX® body achieves true universality on 60% through Quad Shield, PE, and PVC jacket.



Specifications	
Bandwidth	0 MHz to 3 GHz
Impedance	75 Ohms (nominal)
Return Loss	Minimum -30 dB to 3 GHz
Insertion Loss	Less than .10 dB to 3 GHz
Operating Voltage	90 V (at 60 Hz continuous AC)
Operating Temperature	-40° F to + 140° F (-40° C to 60° C)
Cable Retention	45 lbs (20.41 kg) minimum

Meets or Exceeds all SCTE Specifications

Features & Benefits



Application



AquaTight® EX® Universal compression connectors ensure proper port sealing every time. Right angle connectors prevent improper cable bending and tap ports from breaking in smaller pedestals.

AquaTight® EX® Compression Connectors: Series 7 & 11



Part Numbers

EX7N716WS	AquaTight® EX® connector, integrated port seal, 7/16" hex nut, series 7 cable
EX11N716WS	AquaTight® EX® connector, integrated port seal, 7/16" hex nut, series 11 cable
EX11RAF716WS	AquaTight® EX® connector, integrated port seal, right angle, 9/16" hex nut, series 11 cable



VT200



VT300



DDT59611



TW307 AH

Preparation & Installation Tools

Compression Tool	VT200	VT300	CATAS	CAT-AS-EX
1/4" – 1/4" universal drop cable preparation tool	UDT596711		DDT59611	
7/16" snap torque wrench	TW207	TW309	TW307 AH	

Please see complete tool list on pages A38-A40

AquaTight® EX® Universal Compression Connectors Series 320 Hardline Cable

The EX320QR and EX320RAFM hardline compression connectors attach with the ease of a drop connector for faster job completion. These connectors are versatile, durable and designed to deliver signals with minimal loss and greatest shielding effectiveness in the industry.

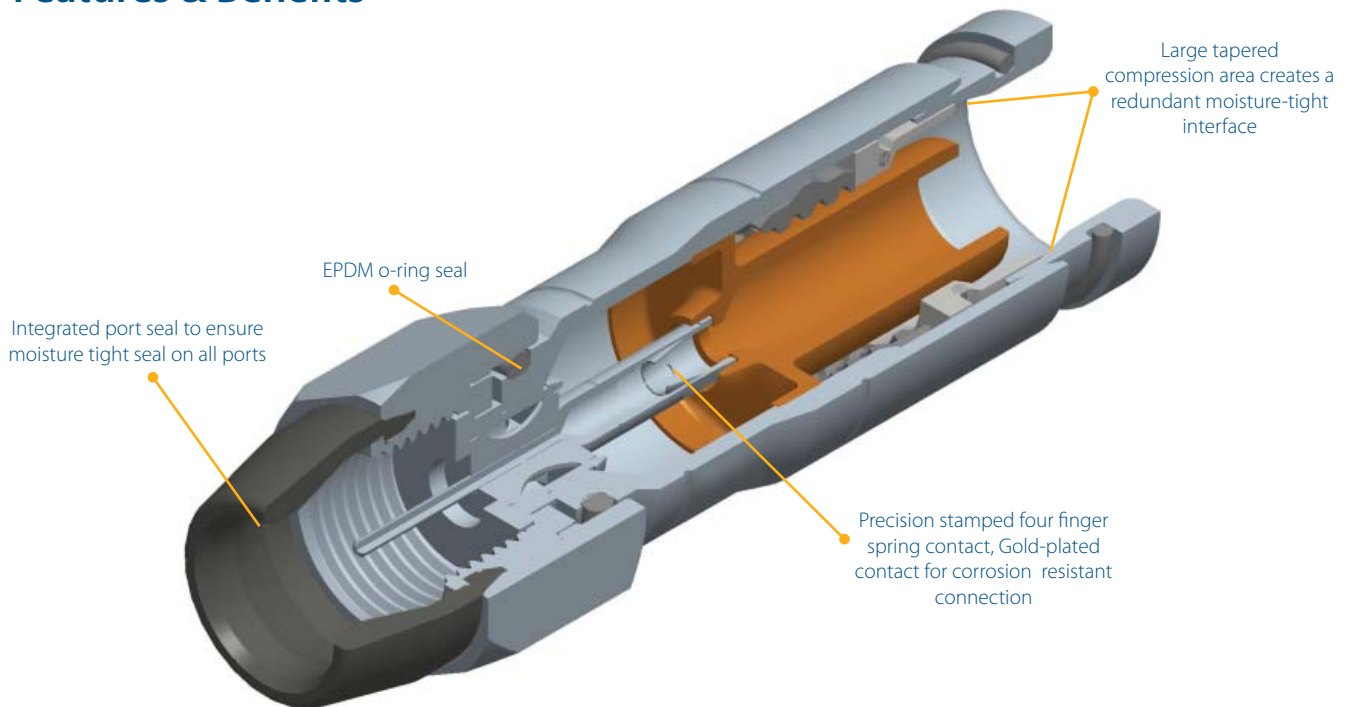


Specifications

Bandwidth	0 MHz to 1 GHz
Impedance	75 Ohms (nominal)
Return Loss	Minimum -20 dB to 1 GHz
Insertion Loss	Less than .10 dB to 1.2 GHz
Operating Voltage	90 V (at 60 Hz continuous AC)
Operating Temperature	-40° F to + 140° F (-40° C to 60° C)
Cable Retention	175 lbs (20.41 kg) minimum

Meets or Exceeds all SCTE Specifications

Features & Benefits



Application



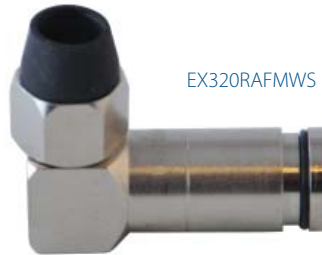
AquaTight® EX® Universal compression connectors ensure proper port sealing every time. Right angle connectors prevent improper cable bending and tap ports from breaking in smaller pedestals.

AquaTight® EX Compression Connectors: Series 320QR

EX320QRWS



EX320RAFMWS



Part Numbers

EX320QRWS	AquaTight® EX® connector, integrated port seal, 9/16" hex nut, series 320QR cable
EX320RAFMWS	AquaTight® EX® connector, integrated port seal, right angle, 9/16" hex nut, series 320QR cable

VT200



VT300



CST-320/7CQRF



MWSS400



TW309



Preparation & Installation Tools

Compression Tool	VT200	VT300	CATAS	CAT-AS-EX
Coring Tool	CST-320/7CQRF		SCT-F320QR	
Messenger Web Slitter/Shaver	MWSS400			
9/16" snap torque wrench	TW309			

Please see complete tool list on pages A38-A40

EX[®] Universal Compression Connectors Series 59, 6, Plenum and Headend Cable

Installers are faced with the problem of identifying old unmarked 60% through Quad Shield Series 6 cable, and having to guess which connector is the best match. This results in unnecessary service calls due to the use of the wrong connector/cable match.

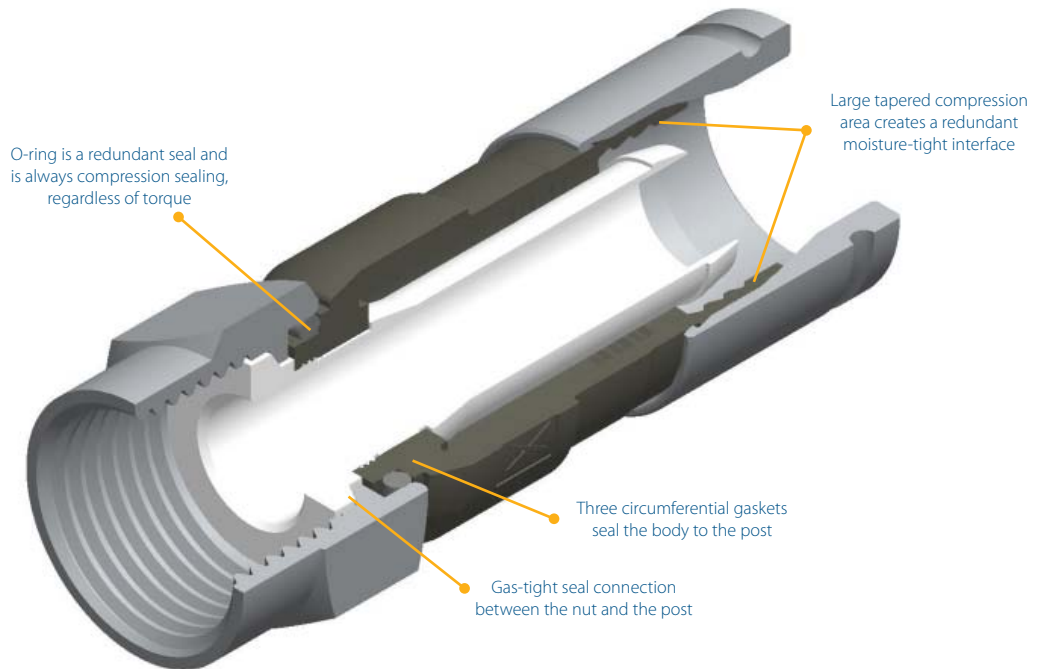
The unique patented design of the EX[®] body achieves true universality on 60% through Quad Shield for PE, and PVC jackets.



Specifications	
Bandwidth	0 MHz to 3 GHz
Impedance	75 Ohms (nominal)
Return Loss	Minimum -30 dB to 3 GHz
Insertion Loss	Less than .10 dB to 3 GHz
Operating Voltage	90 V (at 60 Hz continuous AC)
Operating Temperature	-40o F to + 140o F (-40o C to 60o C)
Cable Retention	45 lbs (20.41 kg) minimum

Meets or Exceeds all SCTE Specifications

Features



Application



EX® Universal compression connectors used in combination with port seals ensure proper port sealing every time

EX® Series Universal Compression Connectors: Series 6, 59, Plenum & Headend



Part Numbers

EX6	EX® Universal compression connector, series 6 cable
EX6XL	EX® Universal compression connector, extended body, series 6 cable
EX59	EX® Universal compression connector, series 59 cable
EX59XL	EX® Universal compression connector, extended body, series 59 cable
EX59HE	EX® Universal compression connector, CommScope & Times Fiber Headend cable
EX59XLHE	EX® Universal compression connector, extended body, CommScope & Times Fiber Headend cable
EX6P	EX® Universal compression connector, Plenum cable
EX6XLP	EX® Universal compression connector, extended body, Plenum cable



Preparation & Installation Tools

Compression Tool	CATAS, VT200 (for use w/ XL series)		
	CAT-AS-EX, VT300 (for use w/ EX series)		
¼" – ¼" universal drop cable preparation tool	LDT596-250	DDT59611	
7/16" snap torque wrench	TW207	TW307	TW307 AH

EX[®] Universal Compression Connectors

Series 7 & 11 Series Cable

Installers are faced with the problem of identifying old unmarked 60% through Quad Shield Series 7 & 11 cable, and having to guess which connector is the best match. This results in unnecessary service calls due to the use of the wrong connector/cable match.

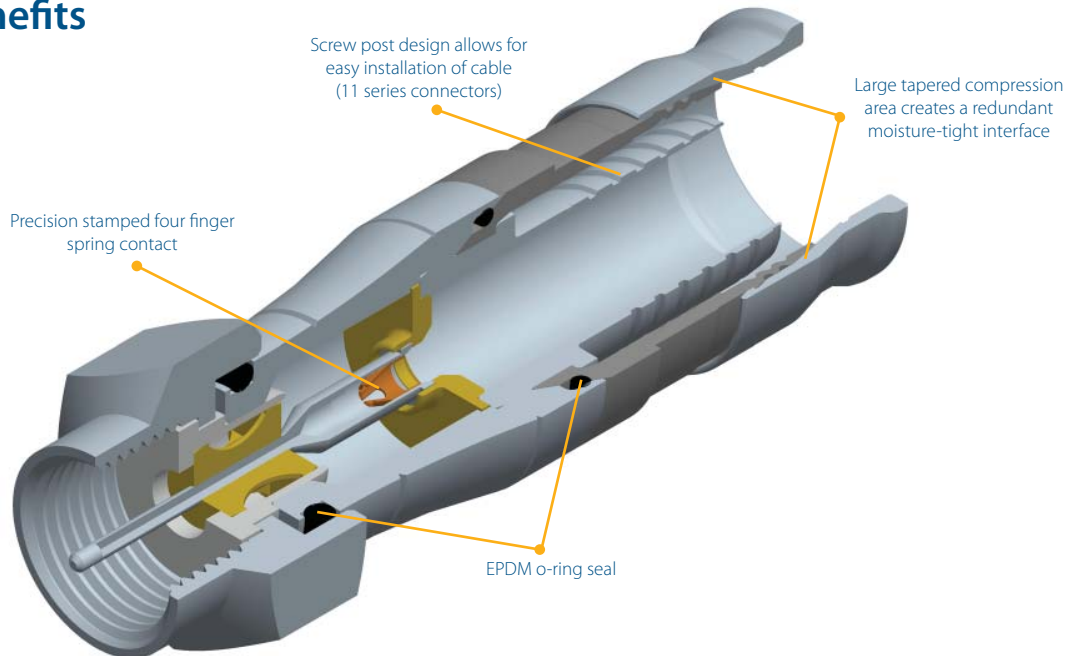
The unique patented design of the EX[®] body achieves true universality on 60% through Quad Shield, PE, and PVC jacket.



Specifications	
Bandwidth	0 MHz to 3 GHz
Impedance	75 Ohms (nominal)
Return Loss	Minimum -30 dB to 3 GHz
Insertion Loss	Less than .10 dB to 3 GHz
Operating Voltage	90 V (at 60 Hz continuous AC)
Operating Temperature	-40° F to + 140° F (-40° C to 60° C)
Cable Retention	45 lbs (20.41 kg) minimum

Meets or Exceeds all SCTE Specifications

Features & Benefits



Application



EX® Universal compression connectors used in combination with port seals ensure proper port sealing every time
Right angle connectors prevent improper cable bending and tap ports from breaking in smaller pedestals

EX® Series Universal Compression Connectors: Series 7 & 11



Part Numbers

EX7	EX® Universal compression connector, 9/16" hex nut, series 7 cable
EX7N716	EX® Universal compression connector, 7/16" hex nut, series 7 cable
EX11	EX® Universal compression connector, 9/16" hex nut, series 11 cable
EX11N716	EX® Universal compression connector, 7/16" hex nut, series 11 cable
EX11RAFM	EX® Universal compression connector, right angle, 9/16" hex nut, series 11 cable



Preparation & Installation Tools

Compression Tool	VT200	VT300	CATAS	CAT-AS-EX
1/4" – 1/4" universal drop cable preparation tool	LDT596-250		DDT59611	
9/16" snap torque wrench	TW309			
7/16" snap torque wrench	TW207	TW309	TW307 AH	

EX[®] Universal Compression Connectors Series 320 hardline cable

The EX320QR and EX320RAFM hardline compression connectors attach with the ease of a drop connector for faster job completion. These connectors are versatile, durable and designed to deliver the lowest loss levels and greatest shielding effectiveness in the industry.

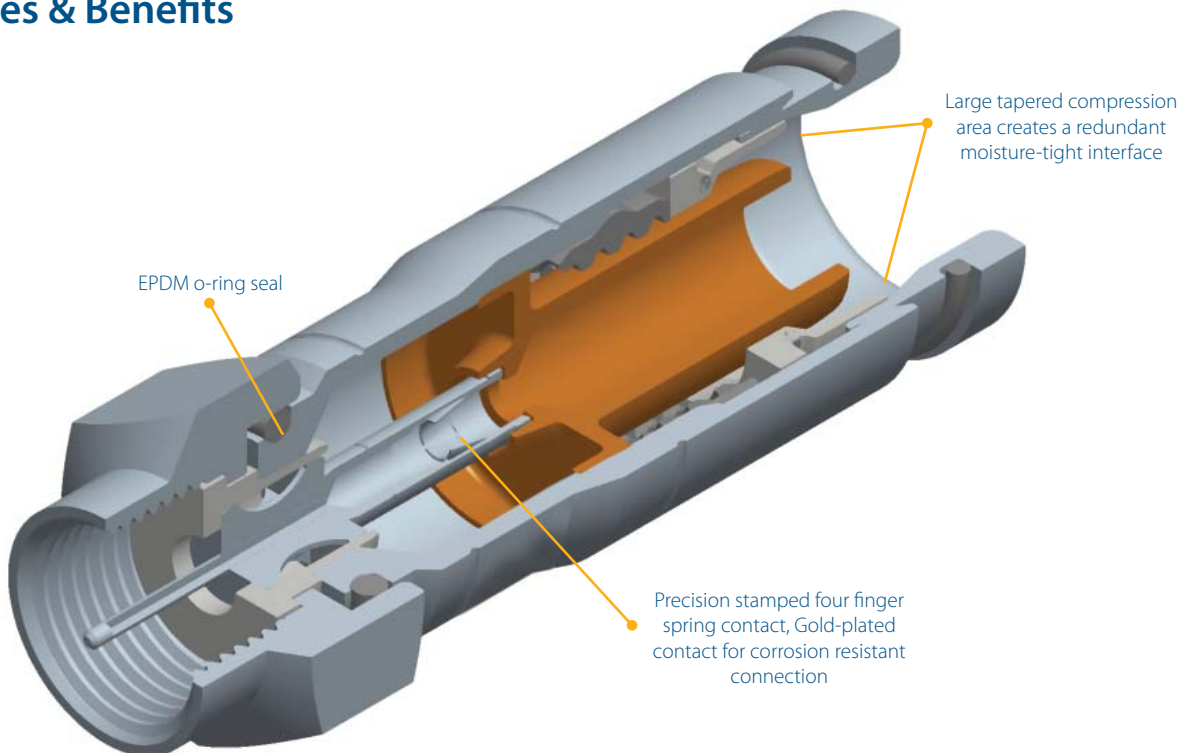
Specifications

Bandwidth	0 MHz to 1 GHz
Impedance	75 Ohms (nominal)
Return Loss	Minimum -20 dB to 1 GHz
Insertion Loss	Less than .10 dB to 1.2 GHz
Operating Voltage	90 V (at 60 Hz continuous AC)
Operating Temperature	-40° F to + 140° F (-40° C to 60° C)
Cable Retention	175 lbs (20.41 kg) minimum

Meets or Exceeds all SCTE Specifications



Features & Benefits



Application



EX® Universal compression connectors used in combination with port seals ensure proper port sealing every time
Right angle connectors prevent improper cable bending and tap ports from breaking in smaller pedestals

EX® Series Universal Compression Connectors: Series 320

EX320RAFM



EX320QR



Part Numbers

EX320QR	EX® connector, 9/16" hex nut, series 320QR cable
EX320RAFM	EX® connector, right angle, 9/16" hex nut, series 320QR cable

VT200



VT300



CST-320/7CQRF



MWSS400



TW309



Preparation & Installation Tools

Compression Tool	VT200	VT300	CATAS	CAT-AS-EX
Coring Tool	CST-320/7CQRF		SCT-F320QR	
Messenger Web Slitter/Shaver	MWSS400			
9/16" snap torque wrench	TW309			

EX[®] Universal BNC Compression Connectors

Series 6, 59 & Headend

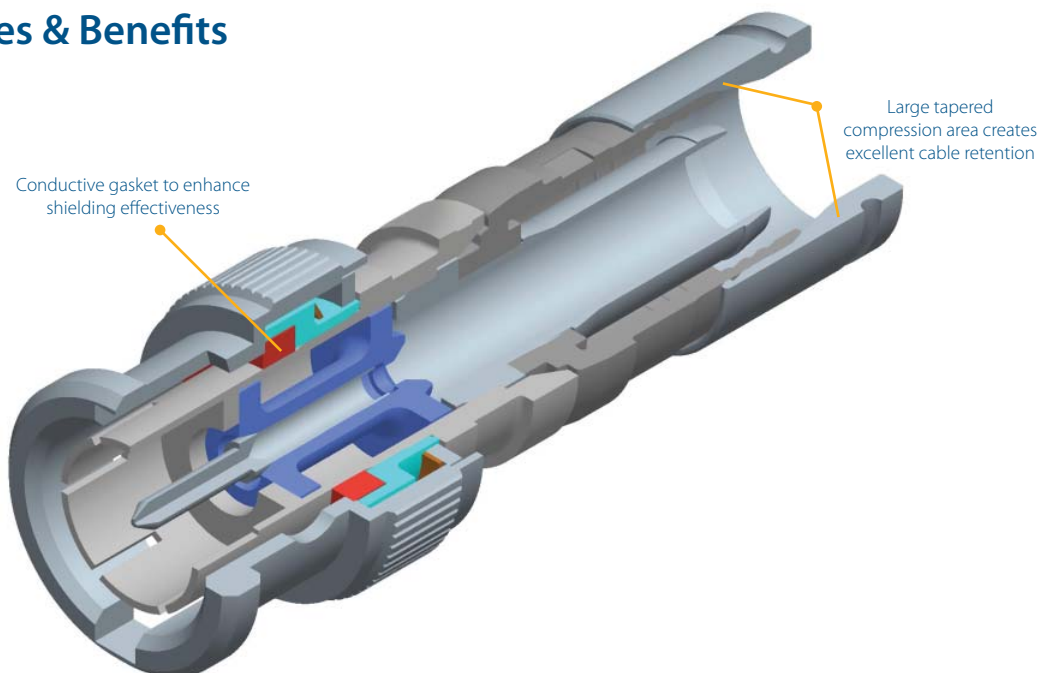
The EXBNC Series is a universal compression connector designed for use with RG6 60% through Quad Cable (EXBNC6), Belden 9167 Head End Cable / RG59 60% through Quad (EXBNC9167) or CommScope F59HEC-2 / Times Fiber 02240V/02241V Head End Cable (EXBNCHE).

Specifications	
Bandwidth	0 MHz to 1 GHz
Impedance	75 Ohms (nominal)
Return Loss	Minimum -30 dB to 1 GHz
Shielding Effectiveness	-80 dB minimum
Operating Voltage	90 V (at 60 Hz continuous AC)
Operating Temperature	-40° F to + 140° F (-40° C to 60° C)
Cable Retention	50 lbs (22.73 kg) minimum

Meets or Exceeds all SCTE Specifications



Features & Benefits



Application



EX® BNC Connectors for Headend applications

EX® Series Universal BNC Compression Connectors: Series 6, 59 & Headend



Part Numbers

EXBNC6	EX® Universal compression connector, BNC, series 6 cable
EXBNC9167	EX® Universal compression connector, BNC, Belden 9167 headend cable and RG59 60% - quad
EXBNCHE	EX® Universal compression connector, BNC, Commscope and Times Fiber headend cable

CAT-MULTIMEDIA-PPC



LDT596-250



Preparation & Installation Tools

Compression Tool	CAT-MULTIMEDIA-PPC	
¼" – ¼" universal drop cable preparation tool	LDT596-250	DDT59611

CMP® Compression Connectors Series 6 & 59

PPC's CMP® compression connectors (US Patent # 5,470,257) presents a high value, cable-specific compression connector solution. Designed to fit 60%, Tri-shield and Quad cables, CMP® connectors are also compatible with industry standard tools.

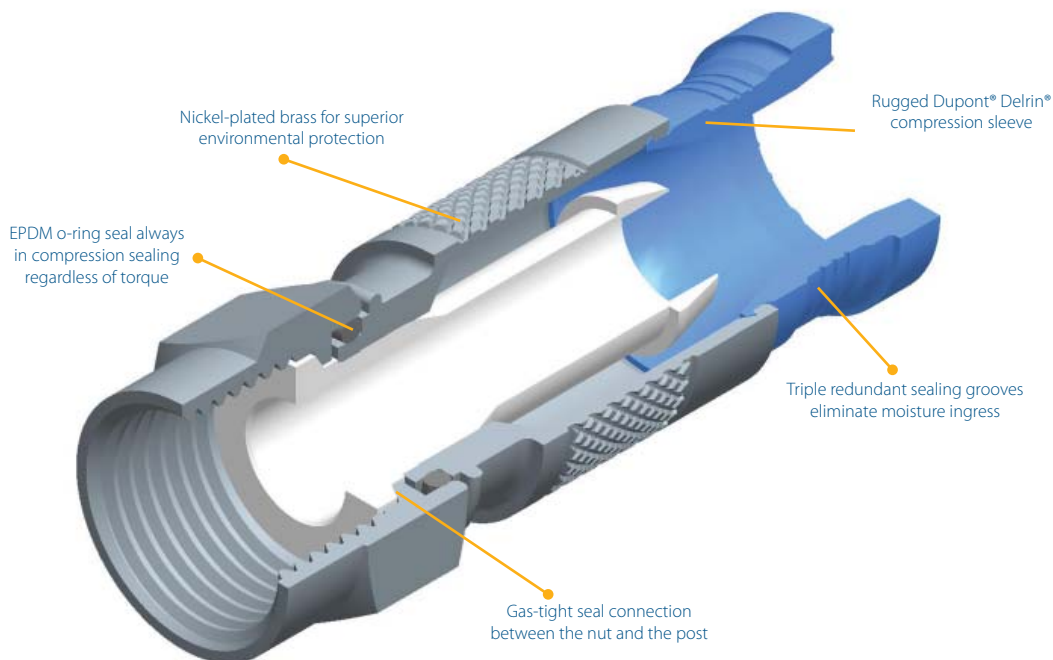


Specifications

Bandwidth	0 MHz to 3 GHz
Impedance	75 Ohms (nominal)
Return Loss	Minimum -30 dB to 3 GHz
Insertion Loss	Less than .10 dB to 3 GHz
Operating Voltage	90 V (at 60 Hz continuous AC)
Operating Temperature	-40° F to + 140° F (-40° C to 60° C)
Cable Retention	50 lbs (22.73 kg) minimum

Meets or Exceeds all SCTE Specifications

Features & Benefits



Application



CMP® compression connectors used in combination with port seals ensure proper port sealing every time

CMP® compression connectors: Series 6 & 59



Part Numbers

CMP6	CMP® compression connector, series 6 cable, 60% - Tri shield
CMP6Q	CMP® compression connector, series 6 cable, Quad shield
CMP59	CMP® compression connector, series 59 cable, 60% - Tri shield
CMP59Q	CMP® compression connector, series 59 cable, Quad shield



Preparation & Installation Tools

Compression Tool	CATAS, VT200		
¼" – ¾" universal drop cable preparation tool	LDT596-250	DDT59611	
7/16" snap torque wrench	TW207	TW307	TW307 AH

CMP® Series BNC & RCA Compression Connectors

Series 6, 59

PPC's CMP® Series (US Patent # 5,470,257) presents a high value RCA & BNC compression connector solution. Designed to fit 60%, Tri-shield and Quad cables CMP® connectors are also compatible with industry standard tools.



CMP® BNC Specifications

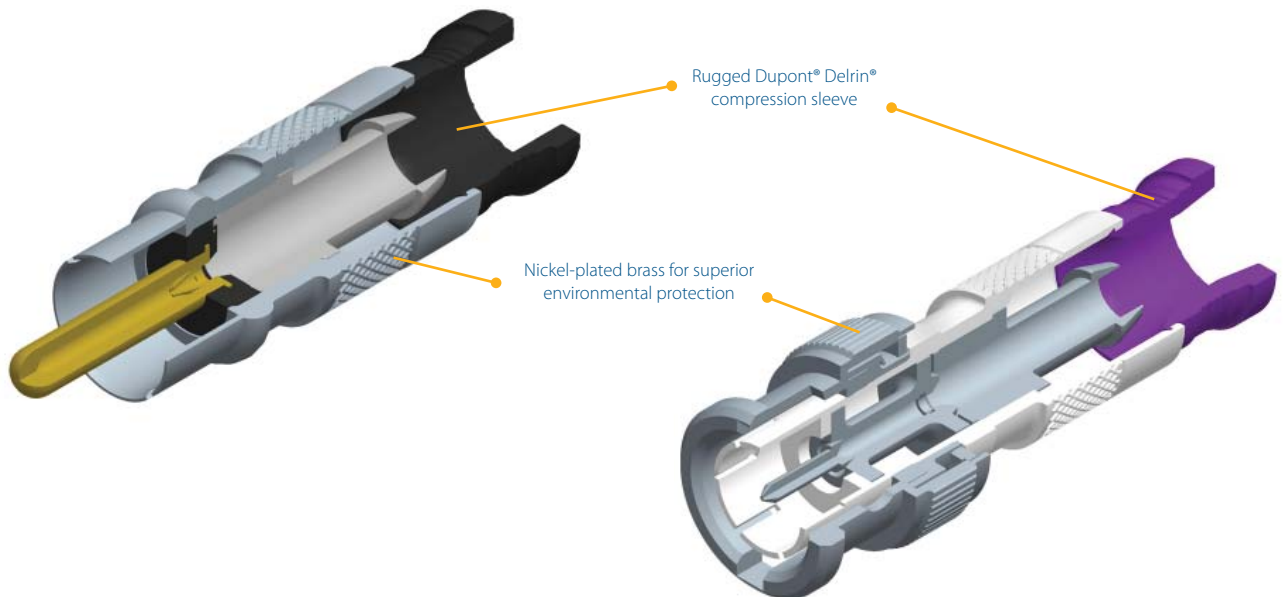
Bandwidth	0 MHz to 3 GHz
Impedance	75 Ohms (nominal)
Return Loss	Minimum -30 dB to 3 GHz
Shielding Effectiveness	-80 dB minimum
Operating Voltage	90 V (at 60 Hz continuous AC)
Operating Temperature	-40° F to + 140° F (-40° C to 60° C)
Cable Retention	50 lbs (22.73 kg) minimum

CMP® RCA Specifications

Operating Voltage	90 V (at 60 Hz continuous AC)
Operating Temperature	-40° F to + 140° F (-40° C to 60° C)
Cable Retention	50 lbs (22.73 kg) minimum

Meets or Exceeds all SCTE Specifications

Features & Benefits



Application



CMP® Series BNC connectors

EX® Series Universal BNC Compression Connectors: Series 6, 59 & Headend



Part Numbers

CMPBNC6	CMP® compression connector, BNC, series 6 cable
CMPBNC59	CMP® compression connector, BNC, series 59 cable
CMPRCA6	CMP® compression connector, RCA, series 6 cable
CMPRCA59	CMP® compression connector, RCA, series 59 cable

CAT-MULTIMEDIA-PPC



LDT596-250



Preparation & Installation Tools

Compression Tool	CAT-MULTIMEDIA-PPC	
¼" – ¼" universal drop cable preparation tool	LDT596-250	DDT59611

CMP® F, BNC & RCA Compression Connectors Series Mini Headend Coax

PPC's CMP® Series Mini connectors are designed for Mini headend Quad shield cable. CMP® mini connectors feature a threaded post for ease of installation. F-style connectors have an SCTE compliant pin attached to the compression ring for improved contact to female ports.

CMP® BNC & F Specifications

Bandwidth	0 MHz to 3 GHz
Impedance	75 Ohms (nominal)
Return Loss	Minimum -30 dB to 3 GHz
Shielding Effectiveness	-80 dB minimum
Operating Voltage	90 V (at 60 Hz continuous AC)
Operating Temperature	-40° F to + 140° F (-40° C to 60° C)
Cable Retention	50 lbs (22.73 kg) minimum

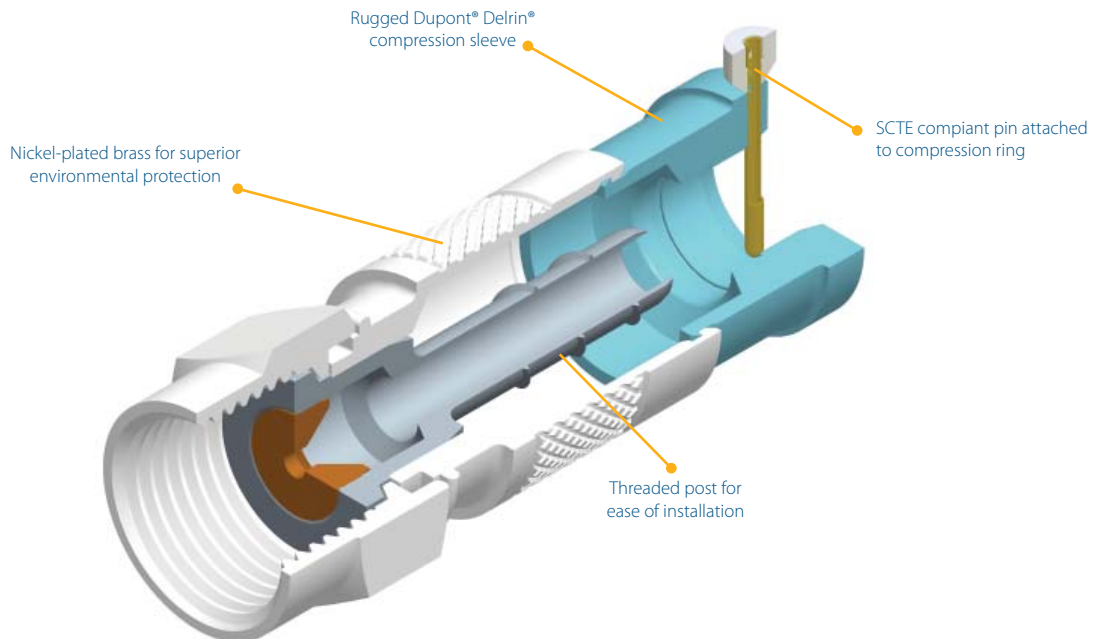
CMP® RCA Specifications

Operating Voltage	90 V (at 60 Hz continuous AC)
Operating Temperature	-40° F to + 140° F (-40° C to 60° C)
Cable Retention	50 lbs (22.73 kg) minimum

Meets or Exceeds all SCTE Specifications



Features & Benefits



Application



CMP® compression connectors : Series Mini headend cable – Quad shield

CMPF-MINI-HE



CMPBNC-MINI-HE



CMPRCA-MINI-HE



Part Numbers

CMPF-MINI-HE	CMP® compression connector, F, series mini headend – Quad shield cable
CMPBNC-MINI-HE	CMP® compression connector, BNC, series mini headend – Quad shield cable
CMPRCA-MINI-HE	CMP® compression connector, RCA, series mini headend – Quad shield cable

VT200



CAT-MULTIMEDIA-PPC



LDTMINI



Preparation & Installation Tools

Compression Tool	CAT-MULTIMEDIA-PPC (all types)	
	VT200 (F-type only)	CAT-AS (F-type only)
¼" – ¼" universal drop cable preparation tool	LDT-MINI	DDT-596MINI

CMP® F, BNC & RCA Compression Connectors

Series Mini Coax

PPC's CMP® Series Mini connectors are designed for Mini cable, tape and braid through Tri shield. F-style connectors have an SCTE compliant pin attached to the compression ring for improved contact to female ports.

CMP® BNC & F Specifications

Bandwidth	0 MHz to 3 GHz
Impedance	75 Ohms (nominal)
Return Loss	Minimum -30 dB to 3 GHz
Shielding Effectiveness	-80 dB minimum
Operating Voltage	90 V (at 60 Hz continuous AC)
Operating Temperature	-40° F to + 140° F (-40° C to 60° C)
Cable Retention	50 lbs (22.73 kg) minimum

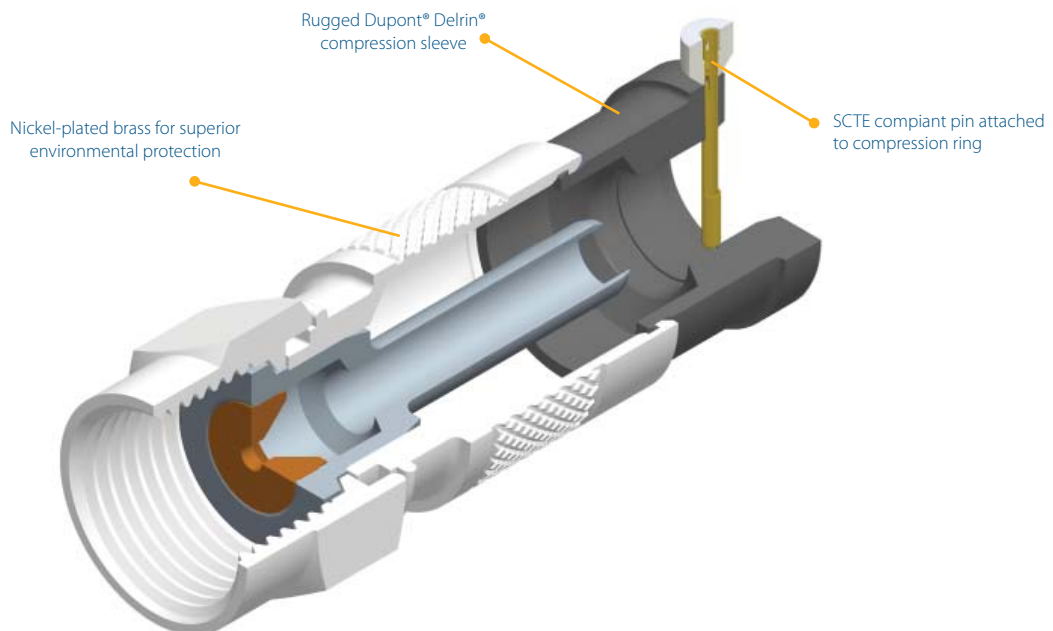
CMP® RCA Specifications

Operating Voltage	90 V (at 60 Hz continuous AC)
Operating Temperature	-40° F to + 140° F (-40° C to 60° C)
Cable Retention	50 lbs (22.73 kg) minimum

Meets or Exceeds all SCTE Specifications



Features & Benefits



Application



CMP® compression connectors : Series mini (Tape & Braid - Tri shield)

CMPF-MINI-HE



CMPBNC-MINI-HE



CMPRCA-MINI-HE



Part Numbers

CMPF-MINI	CMP® compression connector, F, series mini cable, tape & braid - tri
CMPBNC-MINI	CMP® compression connector, BNC, series mini cable, tape & braid - tri
CMPRCA-MINI	CMP® compression connector, RCA, series mini cable, tape & braid - tri

VT200



CAT-MULTIMEDIA-PPC



LDTMINI



Preparation & Installation Tools

Compression Tool	CAT-MULTIMEDIA-PPC (all types)	
	VT200 (F-type only)	CAT-AS (F-type only)
¼" – ¼" universal drop cable preparation tool	LDT-MINI	DDT-596MINI